



# Gunnebo GlasStile S Detect

## Motorised Entrance Gate for Internal Installation

Entrance Gates are designed to combine smooth function and sophisticated appearance with security needs in settings where design is important. The Entrance Gates provide easy passage and high throughput. Designed to reduce the barrier effect and create a welcome atmosphere, visitors can immediately see how and where they should enter.

The GlasStile S Detect includes a sensor module installed on the top of the column which allows the counting of people.

This enables advanced functionality of the GlasStile S Detect to count a person through and close the door after they have passed and also to provide fraud detection including tailgating.

With this detection capability, either a single column can be used or 2 columns can be installed in tandem and provide a barrier capable of person detection in a much smaller footprint than a SpeedStile.

GlasStile S Detect consists of a grained stainless steel column with one glass leaf.

A wide selection of glass dimensions and styles is available to create a two-leaf passage or match with the design of the SpeedStile product range.

On receiving the signal from the access control system or push button, the unit will unlock and drive through 90° away from the signal direction. On detection of an obstruction, the leaf will immediately stop. An auto-reset will re-establish control.

# Technical specifications

## Frame

Motorised, pass left or pass right. Logic Voltage 24Vac.

## Materials

Rotor column: 304 grade grained stainless steel  
Rotor wing: 10mm-thick clear toughened frameless glass leaf.  
Top Lid: Black anodised aluminium

## Status Light

LED positioned at the top of the column signals the passage status for each direction:

- Blue:** Awaiting Authorisation
- Green:** Passage Authorised
- Red:** No Passage Allowed

## Detection module

- Integrated Time of Flight sensors to provide passage counting and fraud detection
- Radar sensor installed in exit direction to allow free exit if required

## Power Failure / Fire Alarm

In the event of an emergency or isolation of power supply, the unit will fail-safe unlocked, i.e. rotor will freely turn in both directions when pushed. Input facility available for voltage free contact supplied by others to effect fire alarm fail-safe state.

## Additional Interface

Potential-free contact provided by either a card reader or push button input. Card reader inhibit and reset output signals are available as standard.

Additional reader housing available installed on top of the column to house RFID reader.

# Technical Data

Dimensions	See details on next page
Power supply	230Vac 50 Hz or 115Vac 60 Hz
Power rating	120VA
Operating temperature	+5 to +40 °C (RH 95% not condensing)
IP rating / MCBF / MTTR	IP 20 / 1M cycles / less than 30 mins
Flow Rates (approximate figures):	Insertion Type Reader: 10 passages per minute Swipe Type Reader: 15 passages per minute Proximity Reader: "Hands Free": 20 passages per minute

## Models

1000mm High Plain Column

# Options

Alternative finishes
Glass leaf height and width selection
Push button control
Remote console
Remote control system

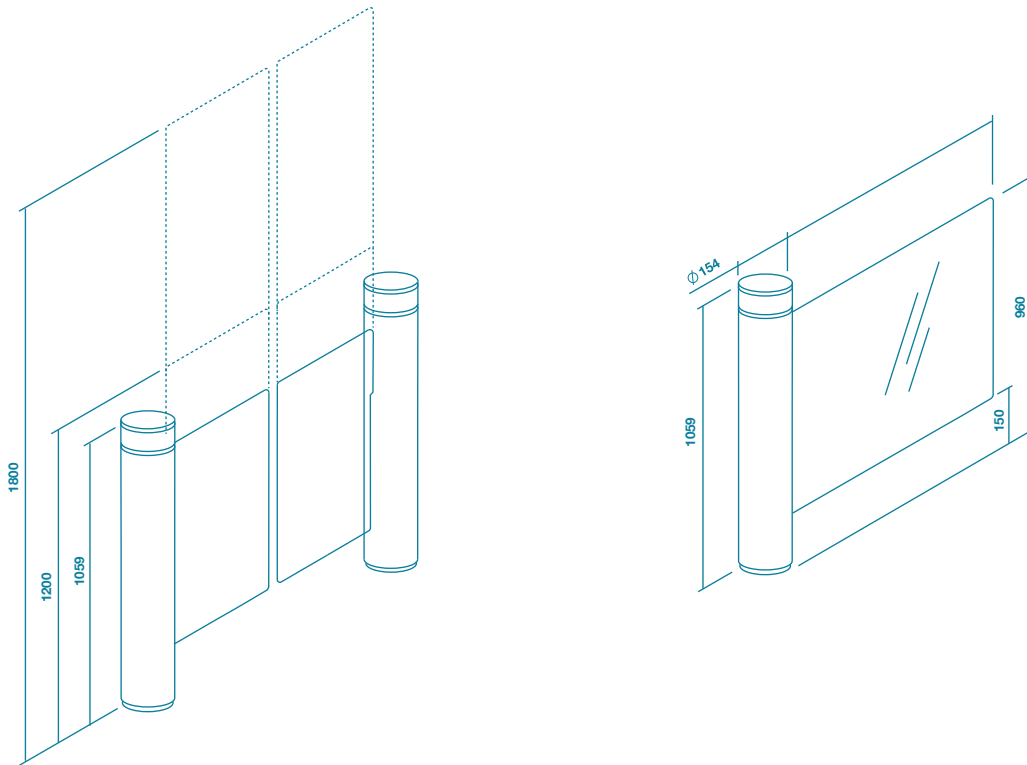
## Benefits

- Smooth function and sophisticated appearance
- Silent operation providing easy passage and high throughput
- People counting including fraud detection
- Small footprint
- Wide range of barrier heights and passage widths available

# Applications

Government
Retail
Finance
Telecommunications
IT
Banking
Publishing
Leisure
Petrochemical
Education

## Models and Configurations: GlasStile S Detect



Height (mm)	Maximum glass leaf width (mm)
960	1150 (1200mm clear opening)
1200	1000 (1050mm clear opening)
1800	975 (1025mm clear opening)



Detection module installed on  
GlasStile S Detect



Reader housing installed on  
GlasStile S Detect

**Important:** Any horizontal pipe or conduit running below the GlasStile must be at least 140mm below FFL. Metal conduit for cables should be raised at least 50mm from foundation. It is the customer's responsibility to ensure the structural integrity and strength of the installation location. The dimensions given in this Product Data Sheet are for information only. In order to prepare the installation site, please refer to your usual Gunnebo Customer Service contact.

**Conditions of use:** When using Gunnebo's security access control gates, for security and safety reasons, children must be supervised by an adult at all times.

# Gunnebo GlasStile S Detect

Design and production: Gunnebo. Photos Credits: Gunnebo. The data given in this material may be subject to change without further notice. The Gunnebo logos and "Gunnebo – For a safer world" are registered trademarks of Gunnebo AB.



Take advantage of our knowledge:  
[www.gunneboentrancecontrol.com](http://www.gunneboentrancecontrol.com)

