



# Immotus™

Super Shallow Mount Bollard Single Tested

unmoved unshaken undisturbed



**EL-GO TEAM**  
SECURITY SYSTEMS

**GUNNEBO®**

## Immotus™

The Immotus shallow mount bollard is your solution when you want extra security, design options and versatility. To ensure public spaces are secured from acts of terrorism, hostile vehicle mitigation measures are required. The Immotus bollard solution is easily retrofit to existing or new public spaces.

The Immotus Bollard is an easily installed bollard that requires a shallow foundation of only 400 mm. This makes it ideal for urban areas and other high-density locations with vast underground infrastructure or limitations that hinder more traditional solutions. Our cutting-edge bollard comes with the IWA-14 impact test certification and has resisted a 7,200 kg truck traveling at 64km/h, with <0.4 penetration and has been tested and certified in a single bollard test. This innovative bollard is available in a variety of colours and finishes and seamlessly blends into any environment.

### Applications:

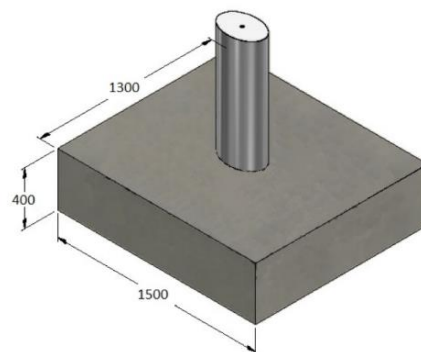
Ideal for use in areas of mass gathering, open public spaces, city centres, public parks, stadiums, data centres, high risk sites and any other environments that require hostile vehicle mitigation.

### Features:

- Attractive design to suit your environment. The Immotus Bollard can be customised to your needs with a choice of 4 design options. The standard Immotus shape, round, elliptical and rectangular.
- With a test result of <0.4 Penetration – the Immotus Bollard is suitable to be installed closer toward buildings providing flexibility in design elevation set out and aesthetics.
- The Immotus Bollard is single tested – this allows installation of a single bollard for protection. In addition, this allows the flexibility to increase or decrease bollard spaces to avoid inground obstructions and provide a variety of set out options.
- The Immotus Bollard is a cost-effective solution with efficiencies in installation and less time on site.
- Available in any RAL colour or Stainless Steel sleeve. Optional reflective strip.

## Technical Details:

Technical Details:	
Height Above Road	848mm (tested)
Foundation Depth	748mm (including surface finishes)
	400mm (tested)
	500mm (including surface finishes)
Bollard Width	132mm
Bollard Length	260mm
Bottom Footprint	1300 x 1500mm
Protection Level	V/7200[N2A]/64/90:0.4
Unit Weight	230kg
Finish	Standard in stock bollard – RAL 9005 black and RAL 7015 Grey (outside plates) with a 316 stainless steel strip down the middle
Available	Standard Immotus shape, Options for: round, elliptical and rectangular stainless steel sleeves



Standard Shape



✉ [Info.au@gunnebo.com](mailto:Info.au@gunnebo.com)

📍 [www.gunnebo.com.au](http://www.gunnebo.com.au)

☎ 1800 164 448